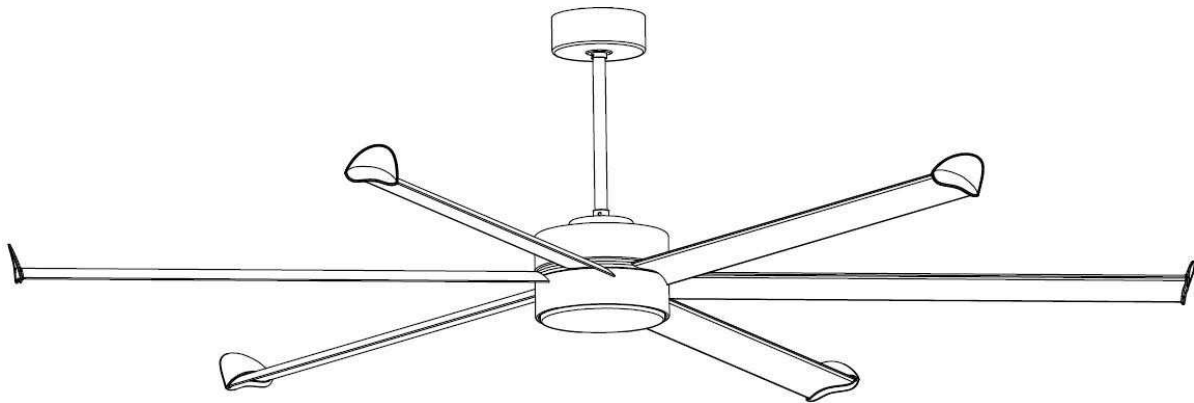


Installation and operating instructions



This product is made for commercial inner room air circulation in conformity to the current CE rules:



IMPORTANT:

Do not use this fan for other applications without our agreement. Read and follow these instructions carefully to prevent personal injury and property damage. Keep always this instruction booklet.



Operational safety - read and follow carefully

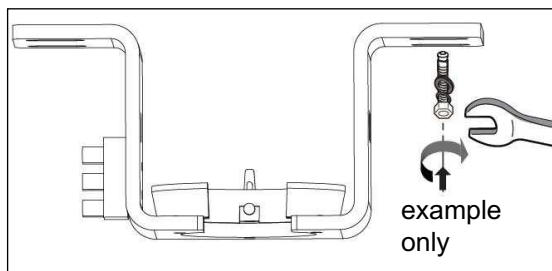
1. This appliance can be used, cleaned and user maintenance by persons aged from 18 years and above. Persons with reduced physical, sensory or mental capabilities or lack of experience and knowledge have been given supervision or instruction concerning use of the appliance in a safe way and understand the hazards involved.
2. Do not work near a running fan.
3. To avoid accidents, do not bend the blades.
4. Do not try to stop the blades by hand and do not push any object between the rotating blades.
5. **WARNING:** If there is any change in the condition of the fan, such as noises, wobbling, damaged or loose parts, the fan must be switched off immediately and repaired by a professional expert.
6. In case of permanent shutdown, disable the fan by unplugging the power cord completely.



Installation safety - read and follow carefully

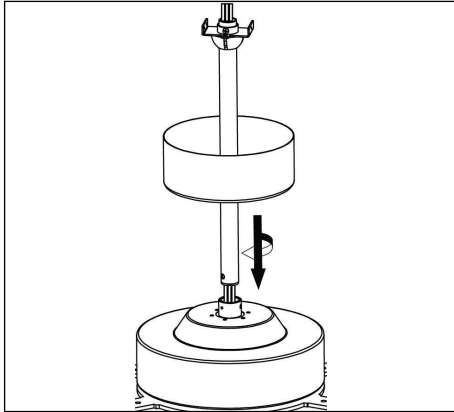
1. The electric installation and the repairs must be done by a professional expert in accordance with all applicable codes and standards.
2. Verify that the power supply is compatible with rating label markings.
3. The fan must be protected by a certificated switch, with double terminal and contact opening not lower than 3 mm.
Never connect the fan directly to a socket, only to the ceiling wiring.
4. Choise of placement:
 - The ceiling structure must be able to support at least 1500kg.
 - **WARNING:** Choose a place where there is no risk for people, animals or objects to contact with the fan and the rotating blades.
 - To prevent contact with running blades, the fan must be mounted with a minimum distance of 3 m between blades and floor.
 - The fan should not be installed in a damp room.
 - The fan should not be installed near flammable or explosive substances or gas.
 - Follow the requirements of automatic fire alarm systems.
 - Specifications regarding gas emissions from infrared heaters must be observed.
 - The accident prevention regulations of the accident insurance must be strictly observed.
5. For the installation of the ceiling attachment use only fasteners approved for this kind of ceiling (cement, wood, steel,...). The choise of the fastening parts and the correct installation of the ceiling attachment is on the responsibility of the installation expert.
6. **WARNING:** Before hanging the fan and connecting the wiring make sure power is off at the main service panel. Tag it to prevent unexpected power on.
7. The wiring must be in accordance to the official norms. The fan must be connected to "earth": Make sure that the green/yellow wire of the fan is tight connected with the green/yellow wire of the power supply.
8. Pay attention to the wires and the blades during the installation, in order to prevent any damage.
9. While installation check all nuts, bolts and cotter pins. Be sure all is perfect tight.

Installation of the ceiling attachment



1. The ceiling attachment must be horizontal after installation.
2. Fasten the ceiling attachment at all four points using professionally fasteners for this kind of ceiling of the largest possible size.
3. The ceiling attachment must then be firmly in place, have a load capacity of 500 kg and must not come loose when the fan is in operation.

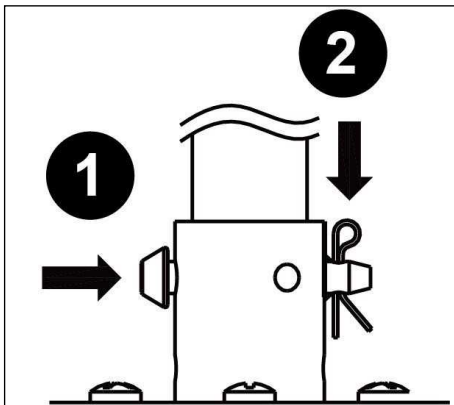
Installation of the downrod



Put the the top canopy over the downrod.

Insert the motor wires through the downrod.

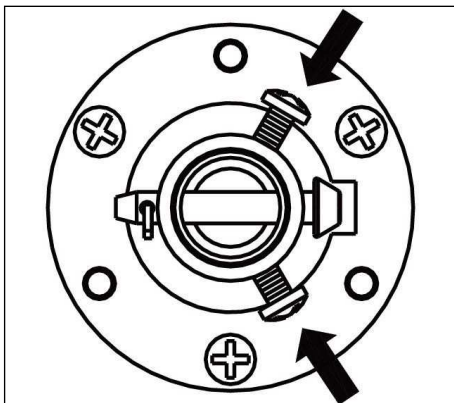
Screw the downrod unit into the internal thread of the motor axis, as far as possible.



Slide bolt 1 through motor axle and downrod.

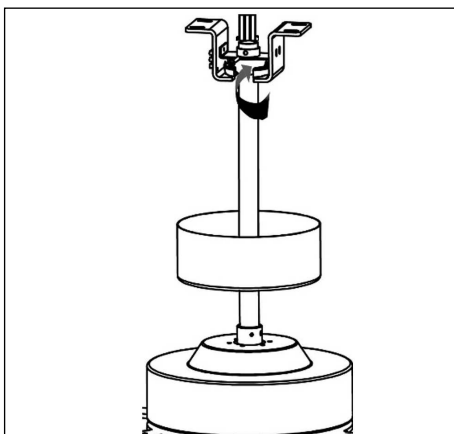
Secure the bolt 1 by inserting the safety pin 2.

IMPORTANT: The safety pin 2 must then be bent apart at the ends.



Fix the motor axis and the downrod by tightening the two screws.

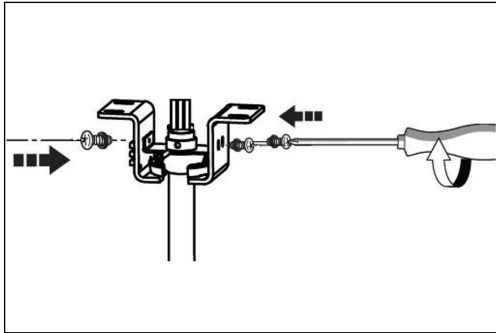
Place the motor assembly into the ceiling attachment



Hang the motor assembly into the ceiling attachment.

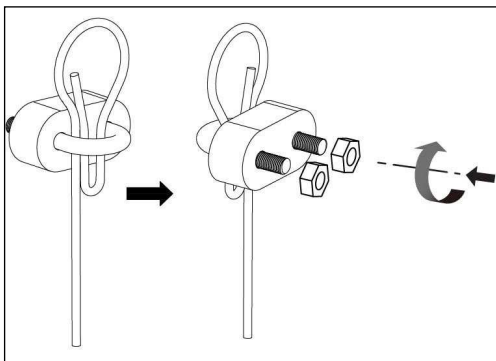
The ceiling attachment has a groove. This groove must sit together with the matching counterpart on the rod ball.

Place the motor assembly into the ceiling attachment



Fasten the ceiling attachment sideways with the sheet metal of the downrod by tightening the three screws.

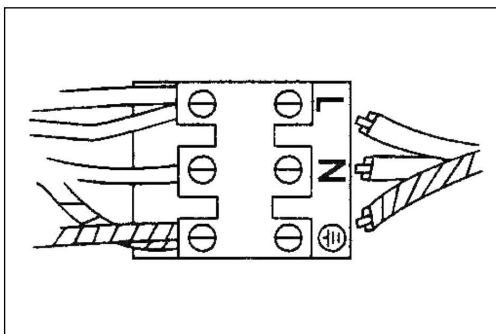
Installation of the safety wire



1. The safety wire is placed in a loop, as shown on the left.
2. Screw the wire clamp and rope tight and safe with the two nuts.
3. Use two wire clamps for double safety.

4. Choose an additional attachment point on the ceiling for the safety wire, with a load capacity of at least 500 kg.
For example: This can be an iron girder or wooden beam. Wrap the safety wire around the the iron girder.
5. Finally, connect the safety wire with the safety carabiner.

Connect power supply

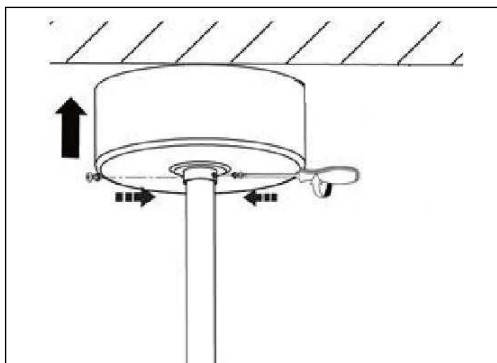


WARNING: Before connecting the power supply, make sure power is off at the main service panel. Tag it to prevent unexpected power on.

Connect the power supply wires and the motor wires professionally to the terminal on the fan:

- L = phase wire (brown)
- N = neutral wire (blue)
- ⏚ = ground wire (yellow-green)

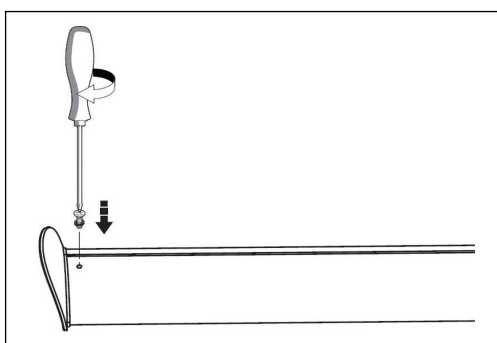
Attach the upper canopy



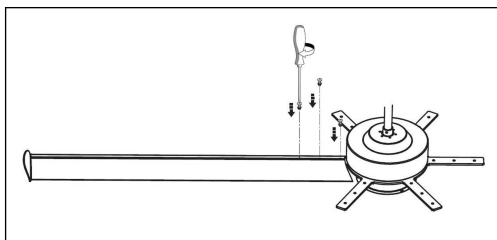
Slide the upper canopy upwards and leave a gap of 2 cm from the ceiling.

Fasten the canopy with two screws.

Attach the blades



Set the end pieces on the blades and fasten safety with one screw each.

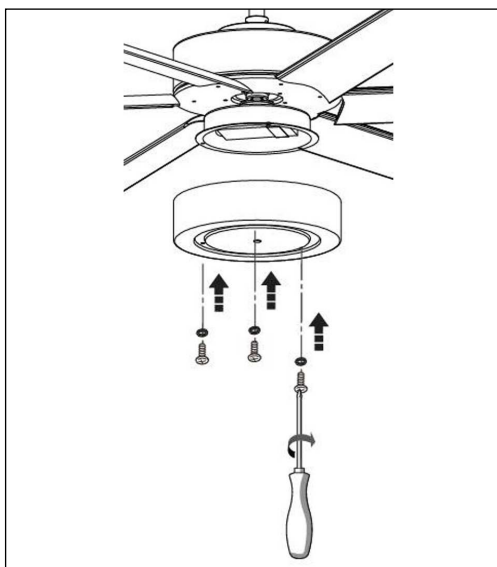


Each wing is attached to the engine block with three screws.

With the help of a second person, ensure that the engine remains in a horizontal position.

Switch from right to left when mounting the wing to make it easier to keep the motor level.

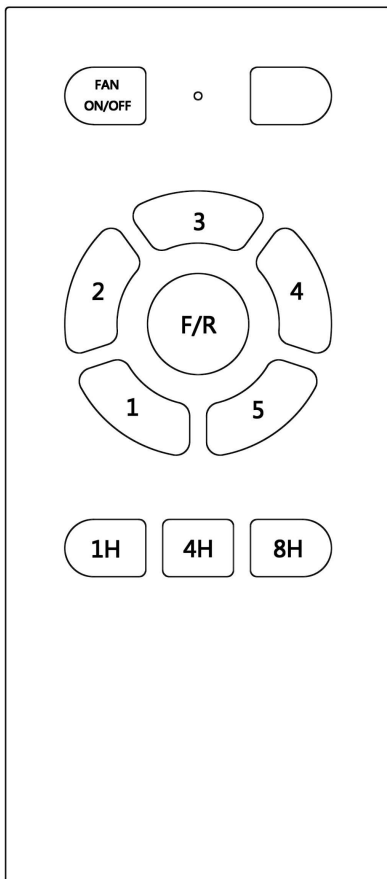
Attach the lower cover



Fasten the lower cover with 3 screws and the associated toothed lock washers.

Make sure that no cable is damaged or crushed.

Remote control instructions



Use the infrared remote control to regulate the speed and turn off the fan.

To use the remote control, insert the batteries by sliding the battery compartment in the direction of the arrow. Insert 2 x "AAA" batteries, observing polarity (batteries are not included).

Always make sure the battery compartment is not damaged. Do not leave the remote control in direct sunlight.

Never attempt to charge standard batteries in a charger, or in charging stations, or otherwise heat them. There are special rechargeable batteries that are clearly marked as such.

Never throw batteries into fire, otherwise they may explode.

Follow the battery disposal instructions on the next page.

Fan ON/OFF: Switches the fan on or off.

1 / 2 / 3 / 4 / 5: Set the fan to the desired speed level.

1H / 4H / 8H: Set the fan to run for 1, 4, or 8 hours as needed.

F/R: Set the running direction of the fan. F = Forward, R = Reverse.

When running reverse, the air flow is gentle and even. For this purpose, one fan is required for up to 150 m² with a maximum hall height of 5 m.

IMPORTANT: After each setting change, the fan needs some seconds to implement. Especially when changing direction.

Any other control elements on the remote control have no function for this fan.

Pairing of remote control and fan.

For first time using, the fan and the remote control are already paired.

If you want to use one remote control for several fans, or if you have purchased a remote control as a spare part:

Instructions for pairing the remote control.

1. Turn on the power switch.
2. Press and hold the "Fan ON/OFF" button for 30 seconds.
3. If the fan starts up, the pairing was successful.

If pairing is unsuccessful, turn off the fan for 10 seconds and start over.

Maintenance

1. **ATTENTION:** The necessary maintenances are indispensable and must be done by an expert.
2. **WARNING:** Before maintenance and cleaning the fan, make sure power is off at the main service panel. Tag it to prevent unexpected power on.
3. On the basis of the typical fan use, gradually some connections may be loose. Therefore all connections must be checked two times per year for perfect tight. Especially the blade screws, bolts and safety pin above the motor and under the ceiling canopy and the safety wire. In case of intensive use the checks should be more frequent.
4. Check the blades are free from damage and the fan does not wobble.
5. In case of need use a damp cloth for cleaning. Do not use liquid cleaners or aerosol cleaners. Never dip the fan into water or other liquid. Never use a water hose at the fan.

Troubleshooting

ATTENTION: All checks and repairs shall be performed by the manufacturer, its service agent or qualified persons with original manufacturer parts.

WARNING: Before checking the fan, make sure power is off at the main service panel. Tag it to prevent unexpected power on.

ATTENTION: There is no liability or warranty for damage caused by technical interventions on the device.

1. Fan will not start.

- Check the power supply, replace fuses if necessary or switch on at the main service panel.
- Check the wire connections at the fan and at the wall switch.
- Check the remote control battery.

2. Fan makes noise.

- A change of the settings, especially a change in the running direction, is associated with mechanical processes that are audible and do not pose a problem.
- Check that the fan blade mounting screws on the motor block are full tight.
- Check all screws and safety pins for tightness.
- **IMPORTANT:** For safety reasons, the fan must not be operated with unusual noises.

3. Fan wobbles / fan is out of balance.

- A minimal vibration after switching on or a speed change is normal. When the correct speed is reached, the fan will stabilize again.
- Check the blades. If the blades are damaged or bent, use replacement blades.
- Check that the fan blade mounting screws on the motor block are full tight.
- **WARNING:** If unusual oscillating motion occurs, stop ceiling fan immediately and contact manufacturer, retailer or qualified person.

Disposal and environmental protection

1. This product and the packaging are made of valuable raw materials and should not be disposed in the waste.
2. By ensuring this product is disposed correctly, you will help prevent potentially negative consequences for the environment and human health.
3. Remove the battery from the remote control and dispose it properly. See below.
4. Sort the different kinds of waste of the packaging and the fan and follow the newest disposal technology.
5. Take care to use authorised disposal and recycling specialists.

Disposal of used batteries and accumulators

1. Batteries and accumulators (hereinafter jointly referred to as "batteries") do not belong in the waste.
2. As end users, consumers are legally obliged to return used batteries. After use, the batteries can be returned free of charge to the seller or to the collection points provided for this purpose (e.g. in municipal collection points or in shops).
3. Devices with batteries that cannot be removed by the end user must be handed in at a collection point for electronic devices. In this case, the recyclers of the electrical devices are obliged to remove and professionally dispose of the old batteries and rechargeable batteries.
4. Batteries contain valuable materials such as zinc, iron, aluminium, lithium and silver. Some of the possible ingredients such as mercury, cadmium and lead as heavy metals can harm the environment and health if not disposed of properly. If the batteries and accumulators are disposed of with the waste, pollutants can enter the environment. Valuable raw materials are also lost in this way. Batteries can also contain substances that are irritants, can trigger allergies or are highly reactive. This means that even batteries without the heavy metal label shown below are not completely harmless.
5. The symbols shown on the batteries have the following meaning:



Separate collection - batteries and accumulators are not allowed in the waste.

6. The characters under the rubbish bin stand for:
Pb = Battery contains more than 0,004 mass percent lead
Cd = Battery contains more than 0,002 mass percent cadmium
Hg = Battery contains more than 0,0005 mass percent mercury

CE conformity

This product is made for commercial inner room air circulation in conformity to the current CE rules:

Low Voltage Directive 2014/35/EU

- EN 60335-2-15: 2016+All:2018
- EN 60335-1:2012 + All:2014 + A13:2017 + A1:2019 + A14:2019 + BAID-EGZ-P21040301 September 23, 2021 A2:2019
- EN 62233:2008

Electromagnetic Compatibility Directive 2014/30/EU

- EN IEC 55014-1:2021
- EN IEC 55014-2:2021
- EN IEC 61000-3-2:2019+A1:2021
- EN 61000-3-3:2013+A1:2019

Technical data

Type	03.240
Color	Metallic silver
Voltage	220-240 V, 50 Hz
Power	100 W
Max. current	0,45 A
Speed	40-88 rpm
Air volume	39.200 m ³ /h
Energy efficiency	2,6 W/1000 m ³ /h
Performance max.	10 m
Sound level *	52-57 dB(A)
Diameter	2,67 m
Height	0,71 m
Box size	122x65x28 cm
Test mark	CE
* from a distance of 1m	Subject to alteration.



Fenne KG

Oppendorfer Straße 37
D-32351 Stemwede
Germany



Phone +49 5773 1436
Fax +49 5773 1400
e-mail: info@fenne-kg.de
Internet: www.fenne-kg.de